

ILLUSTRATED PARTS BREAKDOWN

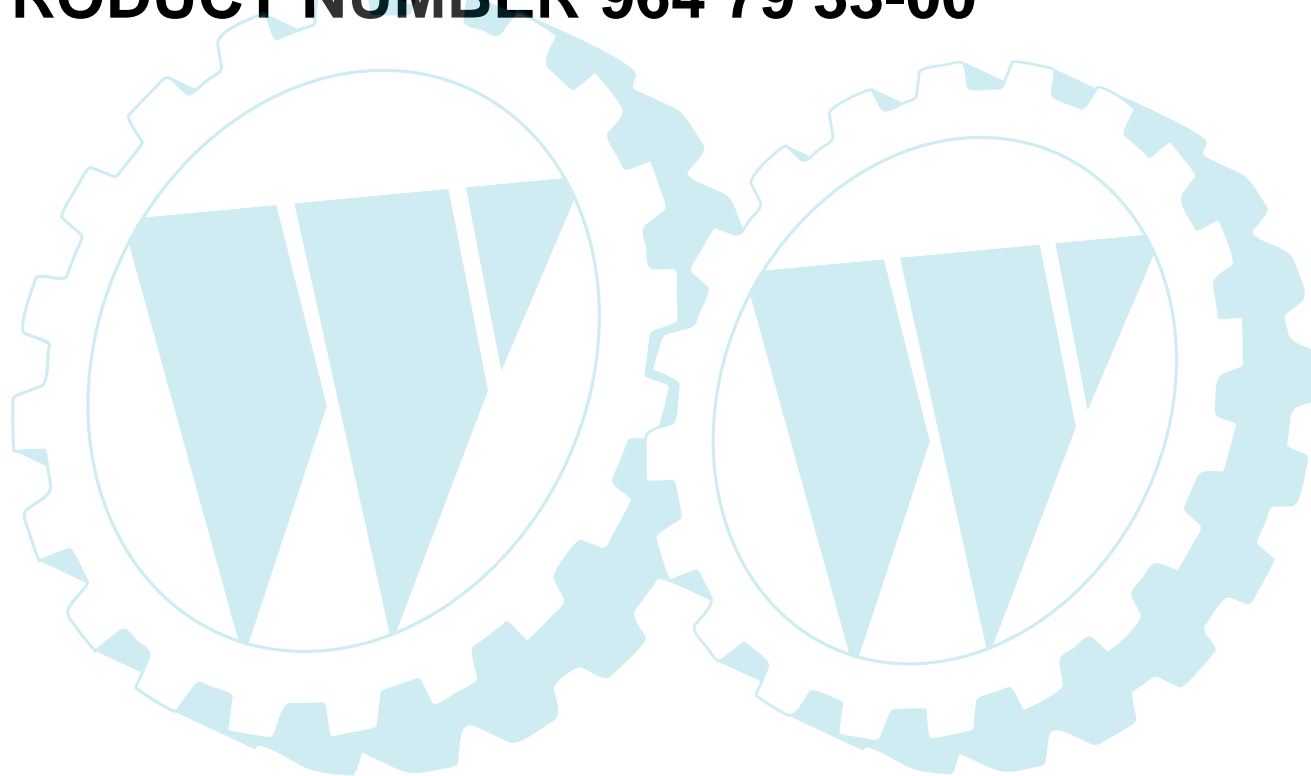
YARD PRO

12.5 HP, 36" MOWER DECK

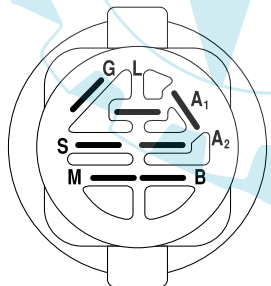
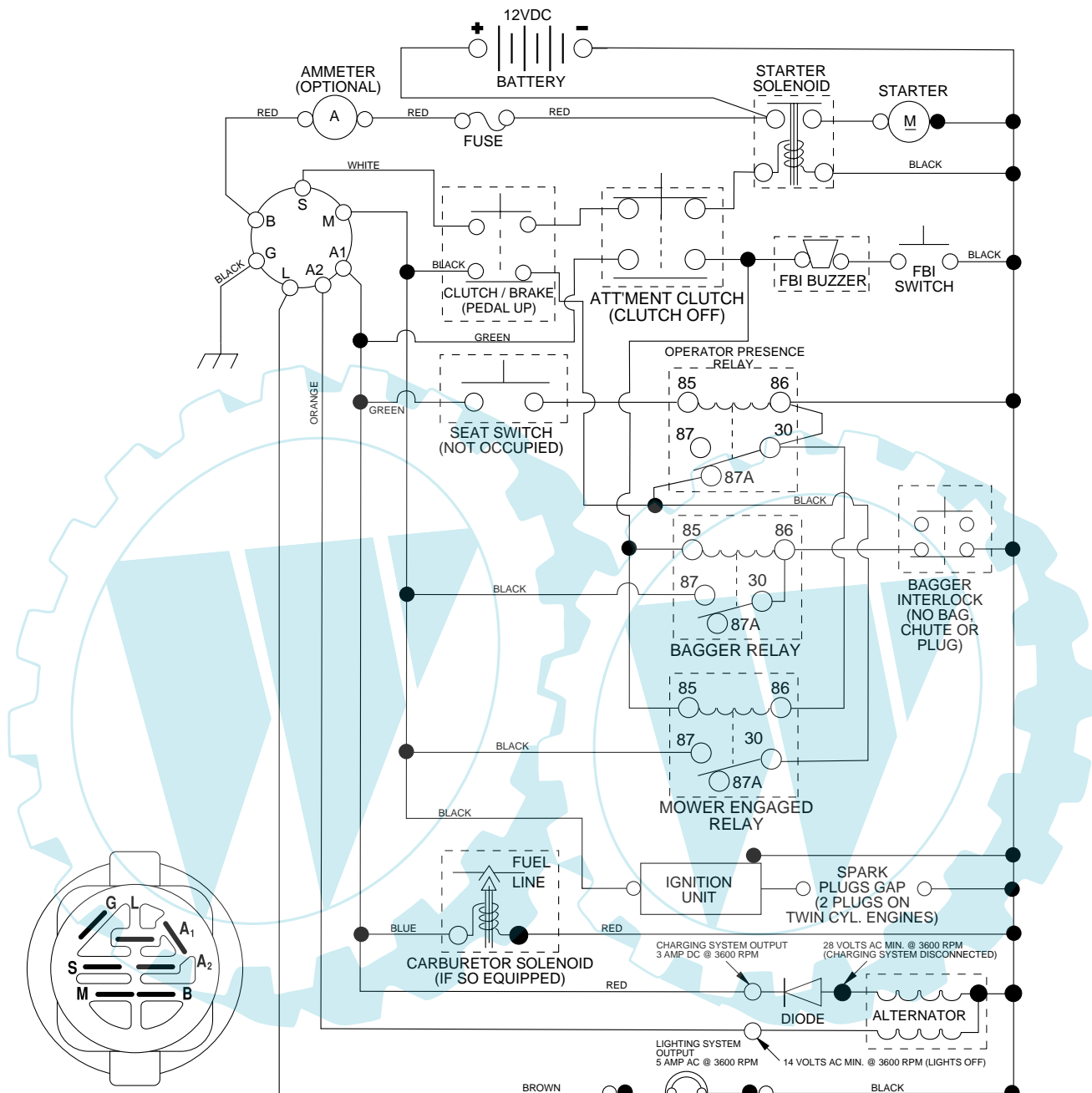
LAWN TRACTOR

MODEL NUMBER CRD125-36 (YP12592RBA)

PRODUCT NUMBER 964 79 33-00



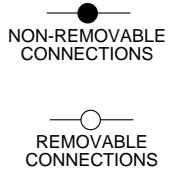
**TRACTOR- -MODEL NO. CRD125-36 (YP12592RBA) PRODUCT NO. 964 79 33-00
SCHEMATIC**



IGNITION SWITCH

POSITION	CIRCUIT	"MAKE"
OFF	M+G+A1	NONE
RUN/LIGHT	B+A1	A2+L
RUN	B+A1	NONE
START	B + S + A1	NONE

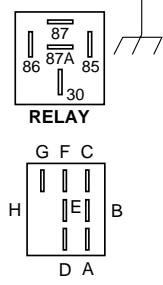
WIRING INSULATED CLIPS
NOTE: IF WIRING INSULATED CLIPS WERE REMOVED FOR SERVICING OF UNIT, THEY SHOULD BE REPLACED TO PROPERLY SECURE YOUR WIRING.



PTO SWITCH

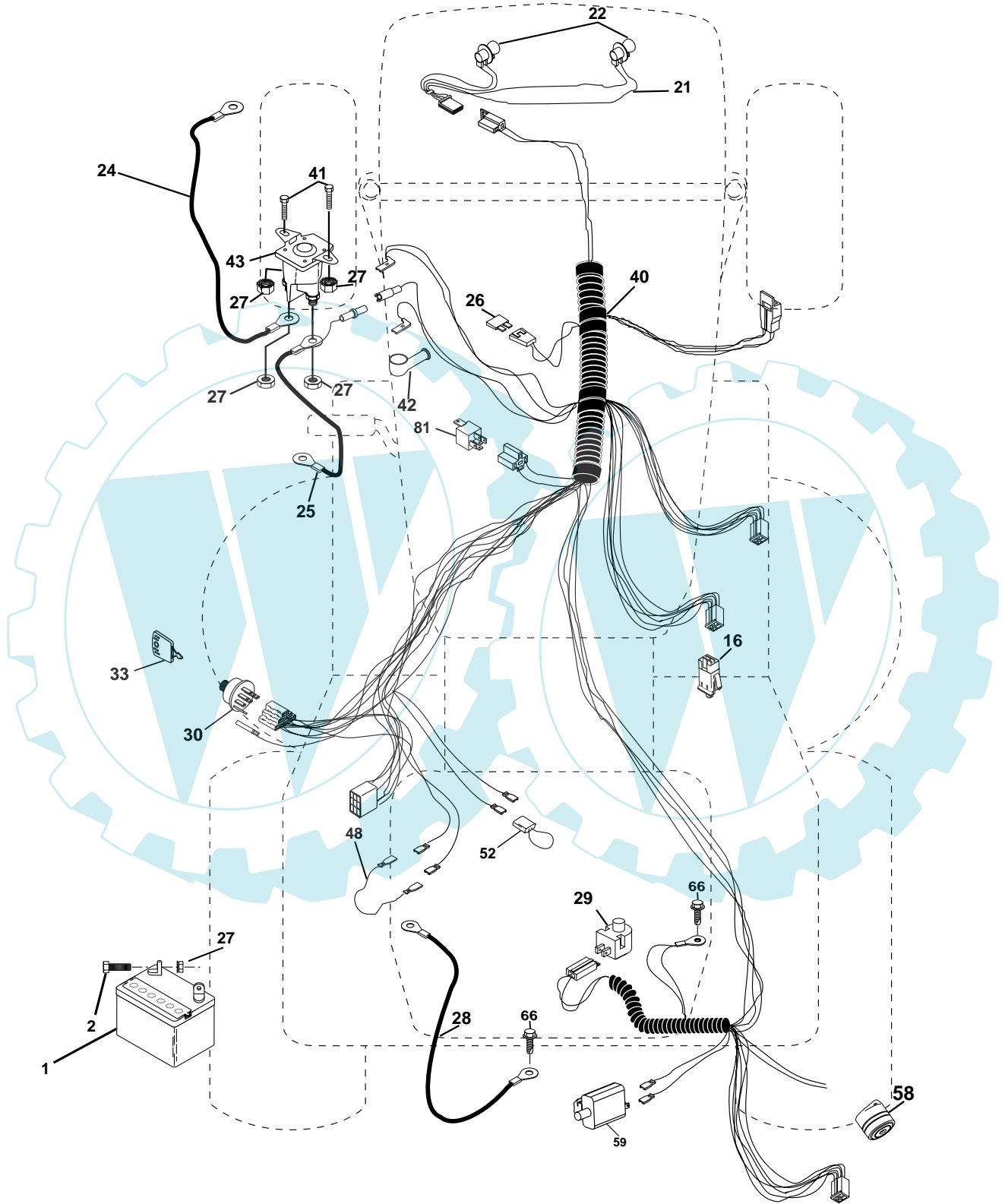
POSITION	CIRCUIT
OFF	C + G, B + H
ON	C + F, B + E, A + D

NOTE
YOUR TRACTOR IS EQUIPPED WITH A SPECIAL ALTERNATOR SYSTEM. THE LIGHTS ARE NOT CONNECTED TO THE BATTERY, BUT HAVE THEIR OWN ELECTRICAL SOURCE. BECAUSE OF THIS, THE BRIGHTNESS OF THE LIGHTS WILL CHANGE WITH ENGINE SPEED. AT IDLE THE LIGHTS WILL DIM. AS THE ENGINE IS SPEEDED UP, THE LIGHTS WILL BECOME THEIR BRIGHTEST.



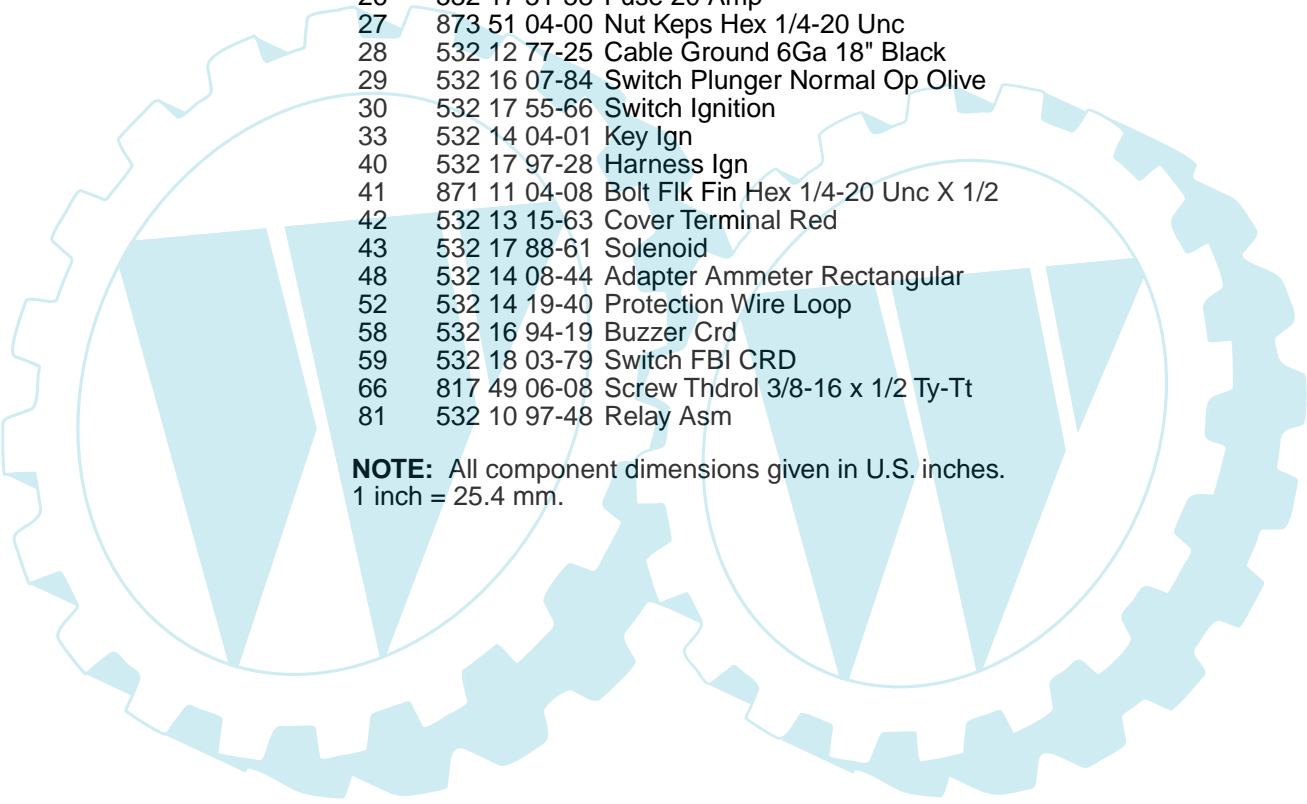
REPAIR PARTS

TRACTOR- -MODEL NO. CRD125-36 (YP12592RBA) PRODUCT NO. 964 79 33-00
ELECTRICAL



REPAIR PARTS

TRACTOR- -MODEL NO. CRD125-36 (YP12592RBA) PRODUCT NO. 964 79 33-00
ELECTRICAL



KEY NO.	PART NO.	DESCRIPTION
1	532 16 34-65	Battery 12 Volt 25 AMP Wet
2	874 76 04-12	Bolt Hex Hd 1/4-20 Unc X 3/4
16	532 17 61-38	Switch Interlock Push-In
21	532 17 56-85	Harness Asm Light W/4152J
22	532 00 41-52	Bulb Light #1156
24	532 12 47-80	Cable Starter 6Ga 11" Red
25	532 16 59-87	Cable Battery Crd 56" Red
26	532 17 51-58	Fuse 20 Amp
27	873 51 04-00	Nut Keps Hex 1/4-20 Unc
28	532 12 77-25	Cable Ground 6Ga 18" Black
29	532 16 07-84	Switch Plunger Normal Op Olive
30	532 17 55-66	Switch Ignition
33	532 14 04-01	Key Ign
40	532 17 97-28	Harness Ign
41	871 11 04-08	Bolt Flk Fin Hex 1/4-20 Unc X 1/2
42	532 13 15-63	Cover Terminal Red
43	532 17 88-61	Solenoid
48	532 14 08-44	Adapter Ammeter Rectangular
52	532 14 19-40	Protection Wire Loop
58	532 16 94-19	Buzzer Crd
59	532 18 03-79	Switch FBI CRD
66	817 49 06-08	Screw Thdrol 3/8-16 x 1/2 Ty-Tt
81	532 10 97-48	Relay Asm

NOTE: All component dimensions given in U.S. inches.
1 inch = 25.4 mm.

REPAIR PARTS

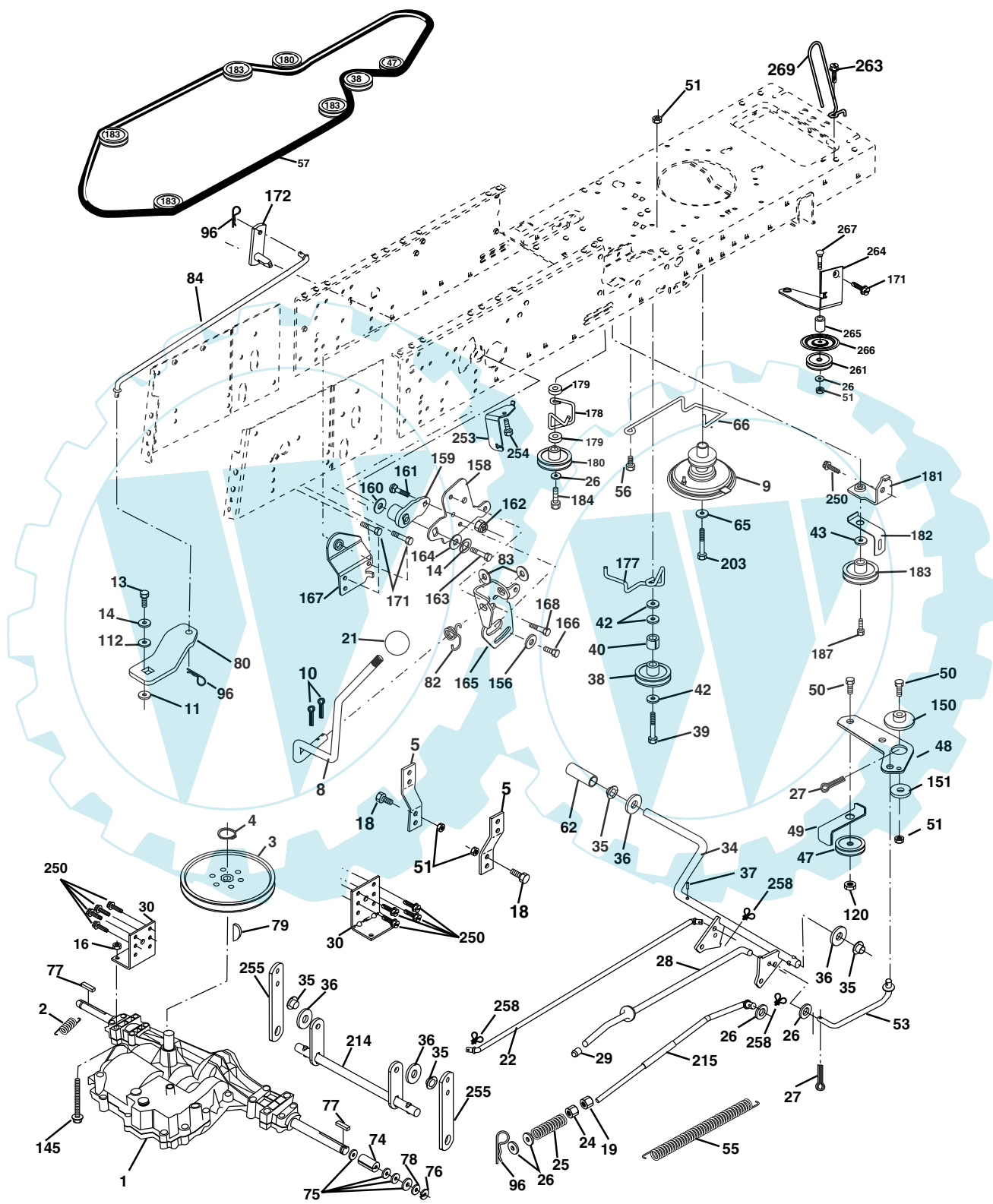
**TRACTOR- -MODEL NO. CRD125-36 (YP12592RBA) PRODUCT NO. 964 79 33-00
CHASSIS**

KEY NO.	PART NO.	DESCRIPTION	KEY NO.	PART NO.	DESCRIPTION
1	532 17 46-20	Chassis	69	532 14 24-32	Screw Hex Wsh
2	532 18 03-84	Drawbar	89	532 18 13-88	Console
3	817 06 06-12	Screw 3/8-16 x 3/4	145	532 15 65-24	Rod Pivot Chassis/Hood
5	532 15 52-72	Bumper Hood/Dash	162	532 18 03-82	Bracket Exten Chassis Lh CRD
6	532 18 44-19	Saddle	163	532 18 03-83	Bracket Exten Chassis Rh CRD
8	532 12 64-71	Clip Insulator 13/32 Mtg. Hole	164	532 16 56-05	Support Battery CRD
9	532 18 54-80	Dash	165	532 18 13-56	Cover Battery
10	872 14 06-08	Bolt, Carriage 3/8-16 x 3/4	170	532 17 88-62	Backplate Asm CRD
11	532 17 49-96	Panel, Dash, L.H.	171	872 14 06-20	Bolt Rdhd Sqnk 3/8-16 x 2-1/2 Gr. 5
12	532 14 56-60	Clip	172	819 13 20-16	Washer 13/32 x 1-1/4 x 16 Ga.
13	532 18 17-19	Panel, Asm. Dash R.H.	173	873 51 06-00	Nut, Keps Hex 3/8-16 UNC
15	874 18 05-12	Screw, Machine, Truss Head 5/16-18 UNC x 3/4	175	532 18 03-10	Guard Trap
16	873 51 05-00	Nut	179	532 18 03-76	Rod Pivot FBI CRD
17	532 16 22-37	Hood	184	532 17 46-62	Bracket Actuator Bagger CRD
18	532 18 49-21	Bumper Hood	185	532 18 11-01	Knob Rod Brake Parking
24	874 78 06-16	Bolt	186	532 16 07-93	Latch Asm Mulch/Bagger
25	819 13 13-12	Washer 13/32 x 13/16 x 12 Gauge	187	532 12 50-04	Nut Weld
26	873 80 06-00	Nut	188	819 06 12-16	Washer #10
28	532 18 54-74	Grille Asm	189	810 07 10-00	Washer Lock #10
29	532 17 66-45	Lens, Grille	190	871 08 10-10	Screw Pan Hd Phillip 10-24 x 5/8
30	532 17 96-45	Fender	198	532 16 89-37	Nut, Push
31	532 16 51-56	Bracket, Fender Support	205	817 49 06-08	Screw Thdrol 3/8-16 x 1/2
33	532 18 67-34	Footrest, L.H.	207	817 67 05-08	Screw Thdrol 5/16-18 x 1/2
34	532 18 67-35	Footrest, R.H.	208	817 67 06-08	Screw Thdrol 3/8-16 x 1/2
35	872 11 06-06	Bolt	209	817 00 06-12	Screw Hex Wsh Thdrol 3/8-16
37	817 49 05-08	Screw Thdrol 5/16-18 x 1/2 TYT	212	532 15 62-29	Insert Lens Reflective
38	532 18 17-48	Bracket Asm Pivot Mower Rear	214	532 12 47-88	Retainer Spring
51	873 80 04-00	Nut Lock w/Insert 1/4-20 UNC	256	532 18 13-61	Cover Fender Rack CRD
52	819 09 14-16	Washer 9/32 x 7/8 x 16 Ga.	265	532 18 57-04	Seal RH Side Bagger
53	532 14 46-97	Bracket Grille LH	266	532 18 57-03	Seal LH Side Bagger
54	532 16 14-64	Screw Hex Wshd 8-18 x 7/8	--	532 00 54-79	Plug, Button
55	532 14 46-96	Bracket Grille RH			
57	874 78 04-12	Bolt Fin Hex 1/4-20 UNC x .75			

NOTE: All component dimensions given in U.S. inches.
1 inch = 25.4 mm.

REPAIR PARTS

TRACTOR- -MODEL NO. CRD125-36 (YP12592RBA) PRODUCT NO. 964 79 33-00
DRIVE



REPAIR PARTS

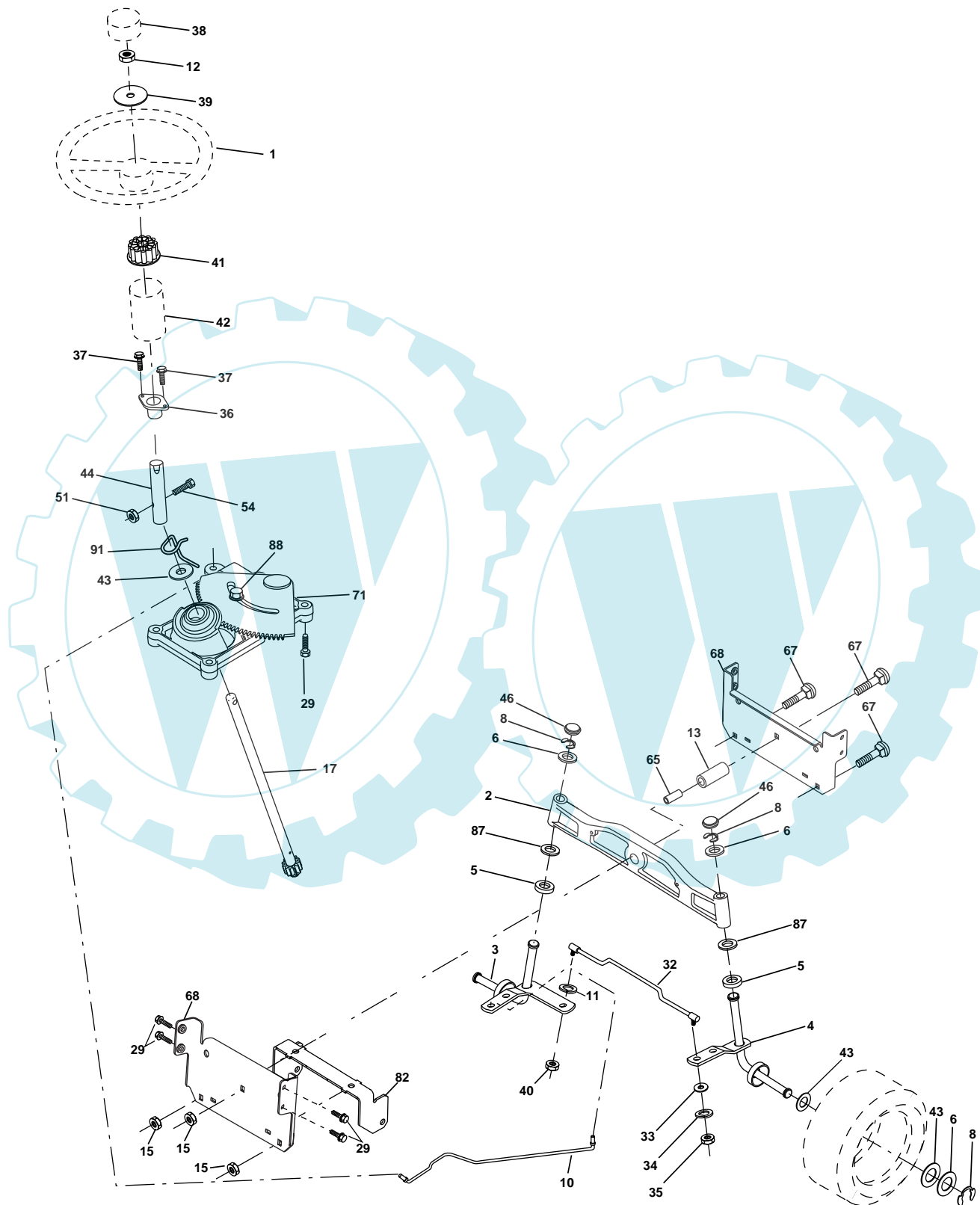
TRACTOR- -MODEL NO. CRD125-36 (YP12592RBA) PRODUCT NO. 964 79 33-00 DRIVE

KEY NO.	PART NO.	DESCRIPTION	KEY NO.	PART NO.	DESCRIPTION
1	-----	Transaxle Peerless 206-546 Order parts from transaxle manufacturer	79	532 12 50-96	Key Woodruff
2	532 14 66-82	Spring Brake Return	80	532 14 50-90	Arm Shift PMST 20" Tires
3	532 16 59-99	Pulley Transaxle	82	532 16 57-11	Spring, Torsion
4	812 00 00-28	Ring Retainer #5100-62	83	819 17 12-16	Washer 17/32 x 3/4 x 16 Ga.
5	532 12 15-20	Strap torque 30 degrees	84	532 16 56-21	Link Shift CRD Pmst 18" Tires
8	532 16 56-19	Rod Shift Fender Adjust Lt	96	532 12 47-88	Spring, Retainer 1"
9	532 18 03-54	Clutch Noram	112	819 09 12-10	Washer 9/32 x 3/4 x 10 Ga.
10	876 02 04-16	Pin, Cotter 1/8 x 1	120	873 90 06-00	Nut Lock 3/8-16unc
11	532 10 57-01	Washer Plate Shf .3888 sq hole	145	874 49 05-40	Bolt Hex FGHD 5/16-18 x Gr 5
13	874 55 04-12	Bolt 1/4-28 Unf Gr 8 w/patch	150	532 16 58-50	Bushing, Bellcrank Grnd Dr
14	810 04 04-00	Washer, Lock Hvy Helical	151	819 13 32-10	Washer 13/32 x 2 x 10 Ga.
16	873 80 05-00	Nut, Lock Hex w/Ins 5/16-18 UNC	156	532 16 60-02	Washer Srrd 5/16 ID x 1.125
18	874 78 06-16	Bolt Hex 3/8-16 UNC x 1 Gr.5	158	532 16 55-89	Bracket Shift Mount
19	873 80 06-00	Nut, Lock Hex w/Wsh 3/8-16 UNC	159	532 18 39-00	Hub Shift
21	532 10 69-33	Knob Round 1/2-13 Unc Blk	160	819 29 20-16	Washer 29/32 x 1-1/4 x 16 Ga
22	532 17 56-07	Rod, Brake CRD 0650	161	872 14 04-06	Bolt Rdhd Sqnk 1/4-20 x 3/4 Gr 5
24	873 35 06-00	Nut	162	873 68 04-00	Nut Crownlock 1/4-20 Unc
25	532 10 68-88	Spring, Rod, Brake	163	874 78 04-16	Bolt Hex Fin 1/4-20 Unc x 1 Gr 5
26	819 13 13-16	Washer 13/32 x 13/16 x 16 Ga.	164	819 09 10-10	Washer 5/8 x .281 x 10 Ga.
27	876 02 04-12	Pin, Cotter 1/8 x 3/4	165	532 16 56-23	Bracket Pivot Lever
28	532 17 57-65	Rod, Parking Brake	166	532 16 68-80	Screw 5/16-18 x 5/8
29	532 07 16-73	Cap, Parking Brake	167	532 16 55-88	Bracket Support Shift CRD
30	532 17 49-73	Bracket, Mfg. Transaxle	168	532 16 54-92	Bolt Shoulder 5/16-18 x .561
34	532 17 55-78	Shaft, Asm Pedal Foot CRD	171	817 49 06-08	Screw Thdrol 3/8-16 x 1/2 Ty-Tt
35	532 12 01-83	Bearing, Nylon	172	532 16 56-35	Shaft Asm Shift Front CRD PMST
36	819 21 16-16	Washer 21/32 x 1 x 16 Ga.	177	532 16 59-32	Keeper Flat Idler 3.06" CRD
37	532 12 49-63	Pin, Roll 3/16 x 1"	178	532 16 59-33	Keeper Belt Idler 1.88" CRD
38	532 16 59-36	Pulley, Flat	179	532 12 09-58	Washer Sintered
39	874 76 06-44	bolt Fin Hex 3/8-16 unc x 2-3/4	180	532 16 56-30	Pulley Flat Composite 3.06"
40	532 12 49-65	Spacer, Split 395 x 59 Bzp	181	532 18 02-11	Bracket Idler Ground Drive CRD
42	819 13 13-12	Washer 13/32 x 13/16 x 12 Ga.	182	532 18 26-82	Keeper Belt 2.5" Od V-Idler CRD
43	819 11 10-12	Washer 11/32 x 5/8 x 12 Ga.	183	532 18 60-07	Pulley V-Idler 2.50" Od CRD
47	532 12 77-83	Pulley, Idler, V Groove Plasic	184	817 49 06-44	Screw Hexwsh Thdrol 3/8-16 x 2-3/4
48	532 15 44-07	Bellcrank Clutch Grnd Drv	187	817 58 05-20	Screw Thdrol 3/8-16 x 1-1/4
49	532 12 32-05	Retainer, Belt Style Spring	203	871 17 07-80	Bolt Hex 7/16-20 x 5
50	872 11 06-12	Bolt Carr. Sh. 3/8-16 x 1-1/2 Gr. 5	250	817 06 06-12	Screw, 3/8-16 x 3/4
51	873 68 06-00	Nut, Crownlock 3/8-16 UNC	214	532 17 56-09	Shaft Asm. Brake
53	532 10 57-10	Link, Clutch 7.66	215	532 17 56-51	Rod Brake
55	532 10 57-09	Spring, Return, Clutch	253	532 17 50-28	Bracket Cable Chassis
56	817 06 06-20	Screw 3/8-16 x 1-1/4	254	817 00 06-16	Screw 3/8-16 x 1
57	532 16 56-31	V-Belt Kev PMST CRD	255	532 17 56-08	Brace shaft Brake Mtg.
62	532 12 48-72	Cover, Pedal	258	532 17 80-62	Clip Retainer
65	810 04 07-00	Washer	261	532 13 14-94	Pulley Idler Flat
66	532 15 47-78	Keeper, Belt Engine F-Proof	263	817 00 06-12	Screw 3/8-16 x 3/4
74	532 13 70-57	Spacer Axle	264	532 18 19-95	Bracket Clutch Mounting
75	532 12 17-49	Washer 25/32 x 1-1/4 x 16 Ga.	265	532 18 20-13	Spacer Idler Chassis
76	812 00 00-01	Ring, E	266	532 18 20-61	Shield Idler Mower
77	532 12 35-83	Key, Square	267	872 14 06-26	Bolt Rdhd Sqnk 3/8-16 x 3-1/4
78	532 12 17-48	Washer 25/32 x 1-5/8 x 16 Ga.	269	532 18 24-02	Guard Muffler

NOTE: All component dimensions given in U.S. inches
1 inch = 25.4 mm

REPAIR PARTS

TRACTOR- -MODEL NO. CRD125-36 (YP12592RBA) PRODUCT NO. 964 79 33-00
STEERING ASSEMBLY



REPAIR PARTS

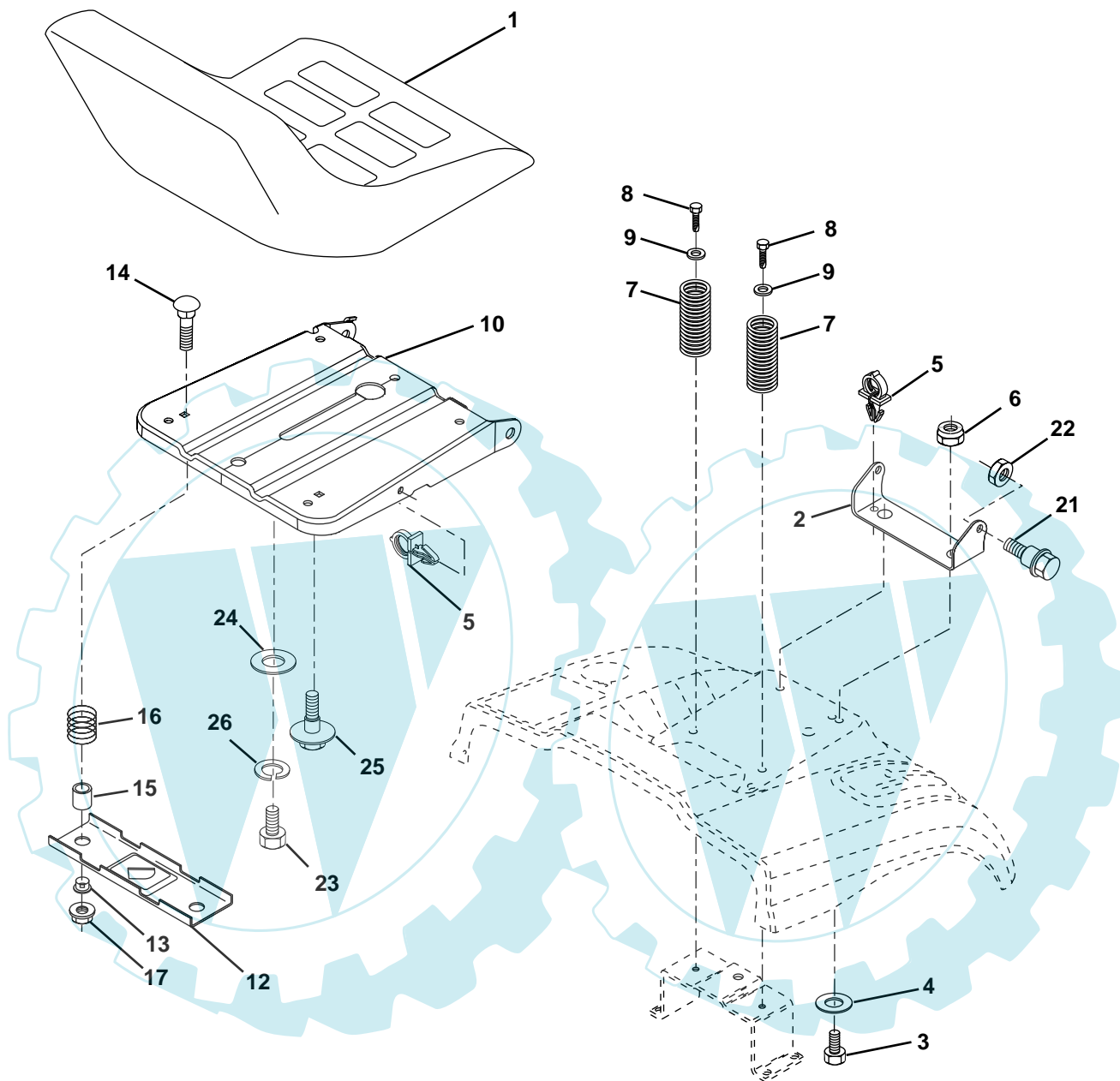
TRACTOR- -MODEL NO. CRD125-36 (YP12592RBA) PRODUCT NO. 964 79 33-00
STEERING ASSEMBLY

KEY NO.	PART NO.	DESCRIPTION
1	532 13 97-68	Steering Wheel
2	532 17 23-93	Front Axle Assembly
3	532 16 98-40	Spindle Assembly, L.H.
4	532 16 98-39	Spindle Assembly, R.H.
5	532 12 49-31	Bearing, Race, Thrust, Hardened
6	532 12 17-48	Washer 25/32 x 1-5/8 x 16 Gauge
8	812 00 00-29	Ring, Klip
10	532 17 51-21	Link, Drag
11	810 04 06-00	Washer, Lock
12	873 94 08-00	Nut Hex Jam Toplock 1/4-20 Unf
13	532 13 65-18	Spacer Axle
15	532 14 52-12	Nut Hex Flange Lock
17	532 18 06-41	Shaft Assembly, Steering
29	817 06 06-12	Screw 3/8-16 x 3/4
32	532 17 01-62	Rod, Tie
33	819 11 12-16	Washer 11/32 x 3/4 x 16 Ga.
34	810 04 05-00	Washer Lock Hvy Hlcl Spr 5/16
35	873 54 05-00	Crownlock Nut 5/16-24 Unf
36	532 15 50-99	Bushing, Steering
37	532 15 29-27	Screw TT #10-32 x 5 x 3/8 Flange
38	532 14 01-75	Cap Wheel Steer
39	819 18 38-12	Washer 9/16 x 2-3/8 x 12 Ga. Zinc
40	532 12 47-01	Nut Lock Center 3/8-24 Unf
41	532 10 07-11	Adaptor, Steering Wheel
42	532 16 96-34	Boot, Steering Dash P/L Mtl
43	532 12 17-49	Washer 25/32 x 1-1/4 x 16 Gauge
44	532 18 06-40	Extension Steering
46	532 12 12-32	Cap, Spindle
51	873 54 04-00	Nut Crown Lock 1/4-28
54	871 13 04-20	Bolt Hex 1/4-28 Unf x 1-1/4 Gr. 8
65	532 16 03-67	Spacer Axle
67	872 14 06-18	Bolt Rdhd Sq 3/8-16 x 2-1/4
68	532 16 98-27	Brace Axle
71	532 17 51-46	Steering Asm.
82	532 16 98-35	Bracket Susp. Chassis Front
87	532 17 39-66	Washer Flat .781 x 1-1/2 x .14
88	532 17 51-18	Bolt Shoulder 7/16-20 Unc
91	532 17 55-53	Clip Steering

NOTE: All component dimensions given in U.S. inches.
1 inch = 25.4 mm.

REPAIR PARTS

TRACTOR- -MODEL NO. CRD125-36 (YP12592RBA) PRODUCT NO. 964 79 33-00
SEAT ASSEMBLY



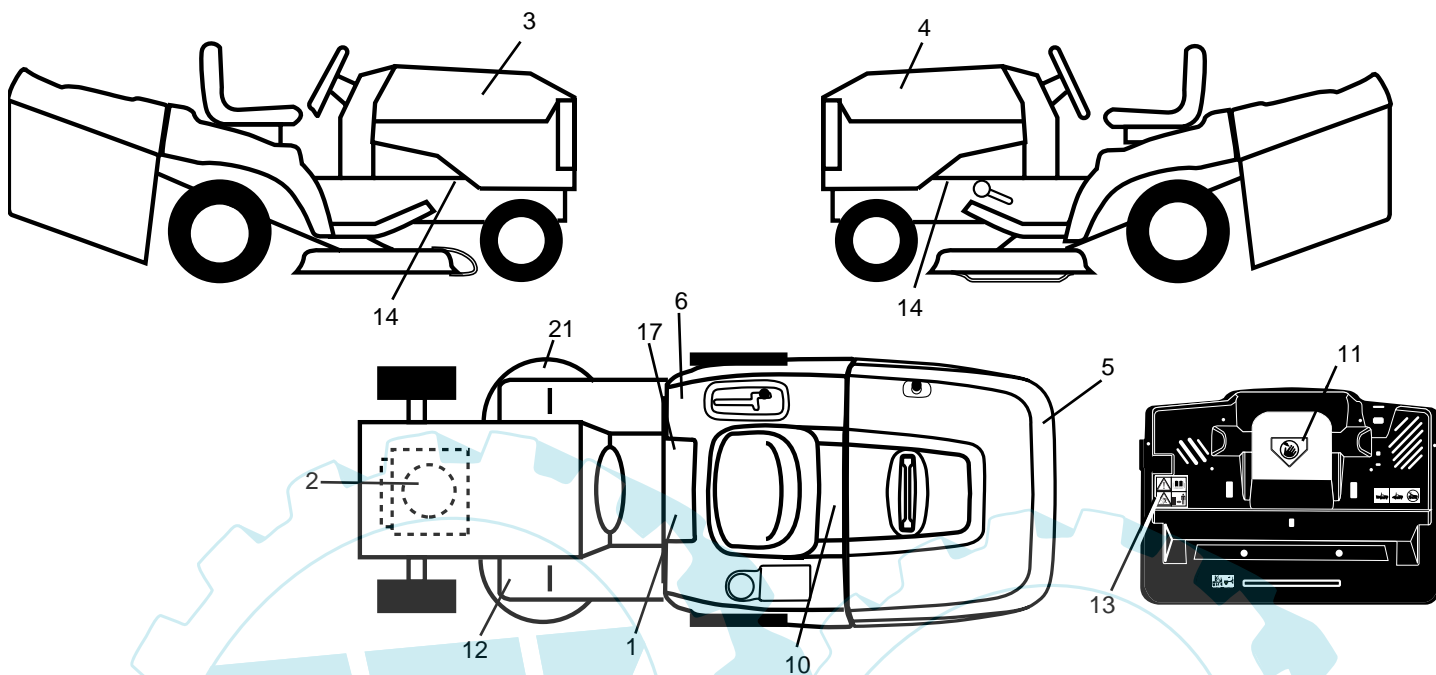
KEY NO.	PART NO.	DESCRIPTION
1	532 17 53-89	Seat
2	532 14 05-51	Bracket Pnt Pivot Seat (blk)
3	871 11 06-16	bolt Hex 3/8-16unc x 1
4	819 13 16-10	Washer 13/32 x 1 x 10
5	532 14 50-06	Clip Push In Hinged
6	873 80 06-00	Nut Lock 3/8-16
7	532 12 41-81	Spring Seat Cprsn 2 250 Blk Zi
8	817 00 06-16	Screw 3/8-16 X 1-1/2
9	819 13 16-14	Washer 13/32 X 1 X 14 Ga.
10	532 18 24-93	Par Assembly Seat
12	532 12 12-46	Bracket Pnt Mounting Switch
13	532 12 12-48	Bushing Snap Blk Nyl 50 Id

KEY NO.	PART NO.	DESCRIPTION
14	872 05 04-12	Bolt Rdhd Sht Nk 1/4-20x1-1/2
15	532 13 43-00	Spacer Split
16	532 12 12-50	Spring Cprsn Plate SW 1.310 Ga
17	532 12 39-76	Nut Lock 1/4 Lge Flg Gr 5 Zinc
21	532 1718-52	Bolt Shoulder 5/16-18 Unc-2A
22	873 80 05-00	Nut Hex Lock w/Ins 5/16-18
23	871 11 08-14	Bolt Hex Black
24	819 17 19-12	Washer 17/32 X 1-3/16 X 12 Ga.
25	532 12 70-18	Bolt Shoulder 5/16-18 X 62
26	810 04 08-00	Washer Lock Hvy Hlcl Spr 1/2

NOTE: All component dimensions given in U.S. inches.
1 inch = 25.4 mm

REPAIR PARTS

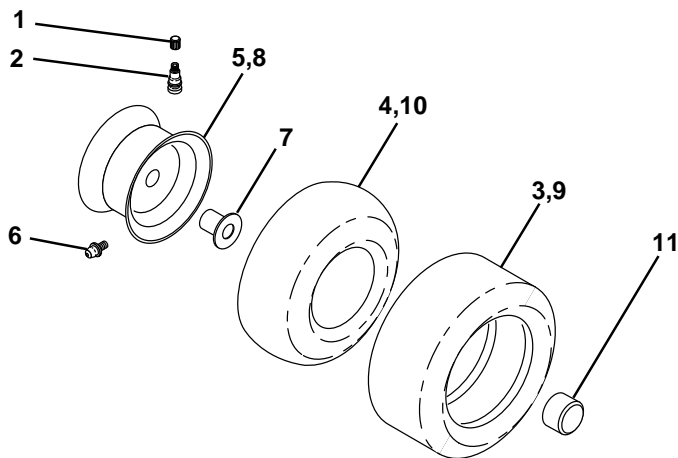
TRACTOR- -MODEL NO. CRD125-36 (YP12592RBA) PRODUCT NO. 964 79 33-00
DECALS



KEY NO.	PART NO.	DESCRIPTION
1	532 14 54-98	Decal Read Owner's Manual Sym
2	532 18 47-65	Decal Hp Engine
3	532 18 59-41	Decal Hood RH
4	532 18 59-42	Decal Hood LH
5	532 18 26-21	Decal Frame
6	532 18 04-32	Decal 100 DBA
10	532 14 50-05	Decal Bat Dan/Poi P/L Sym Wpn
11	532 18 21-66	Decal Mower Cut Finger Symbol
12	532 15 97-37	Decal Brake/Clutch Symbol Lt

KEY NO.	PART NO.	DESCRIPTION
13	532 18 04-35	Decal Warn Back Plate CRD
14	532 15 97-36	Decal Chassis Hot Muffler
17	532 14 08-37	Decal Saddle Brake Parking
21	532 16 62-86	Decal Deck Sch 92 CRD
—	532 13 83-11	Decal Lift Handle
—	532 18 10-90	Pad Footrest RH
—	532 18 10-91	Pad Footrest LH
—	532 18 52-30	Manual Operator's (Euro)
—	532 18 52-32	Manual Operator's (Scand)

WHEELS & TIRES

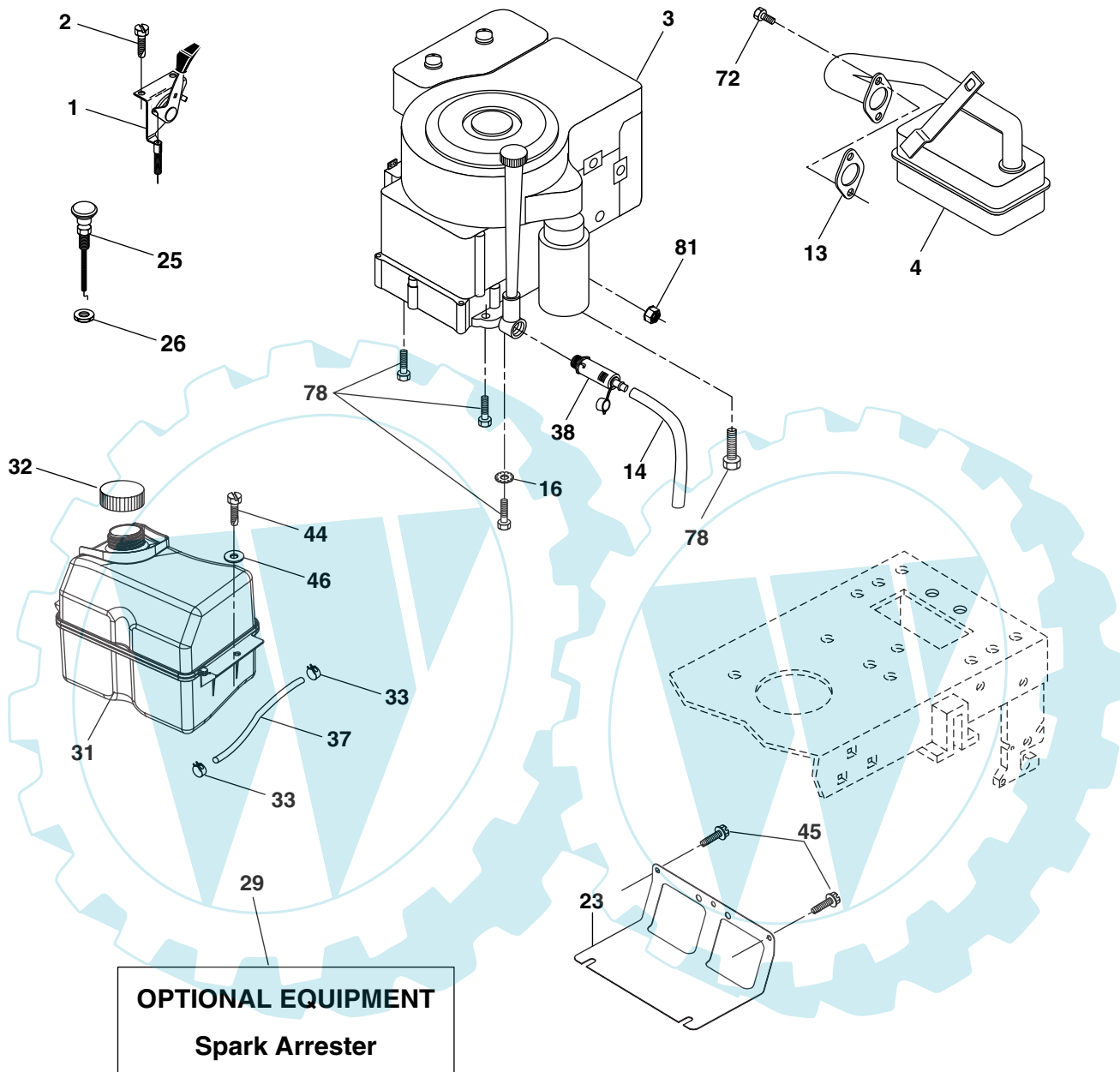


KEY NO.	PART NO.	DESCRIPTION
1	532 05 91-92	Cap Value Tire
2	532 06 51-39	Stem Value
3	532 10 62-22	Tire F Ts 15 X 6 0 - 6 Service
4	532 05 99-04	Tube Inner Front #35060
5	532 18 33-37	Rim Asm 6"front Service
6	532 12 49-57	Fitting Grease
7	532 12 49-59	Bearing Flange
8	532 18 33-38	Rim Asm 8"rear Service
9	532 12 46-35	Tire R Ts 18 x 8.5-8 Service
10	532 12 49-26	Tube Rear 9 5 X 8 Service
11	532 17 50-39	Cap Axle Blk 1 50 X 1 00
--	532 14 43-34	Sealant, Tire (10 oz. tube)

NOTE: All component dimensions given in U.S. inches
1 inch = 25.4 mm

REPAIR PARTS

TRACTOR- -MODEL NO. CRD125-36 (YP12592RBA) PRODUCT NO. 964 79 33-00
ENIGNE



REPAIR PARTS

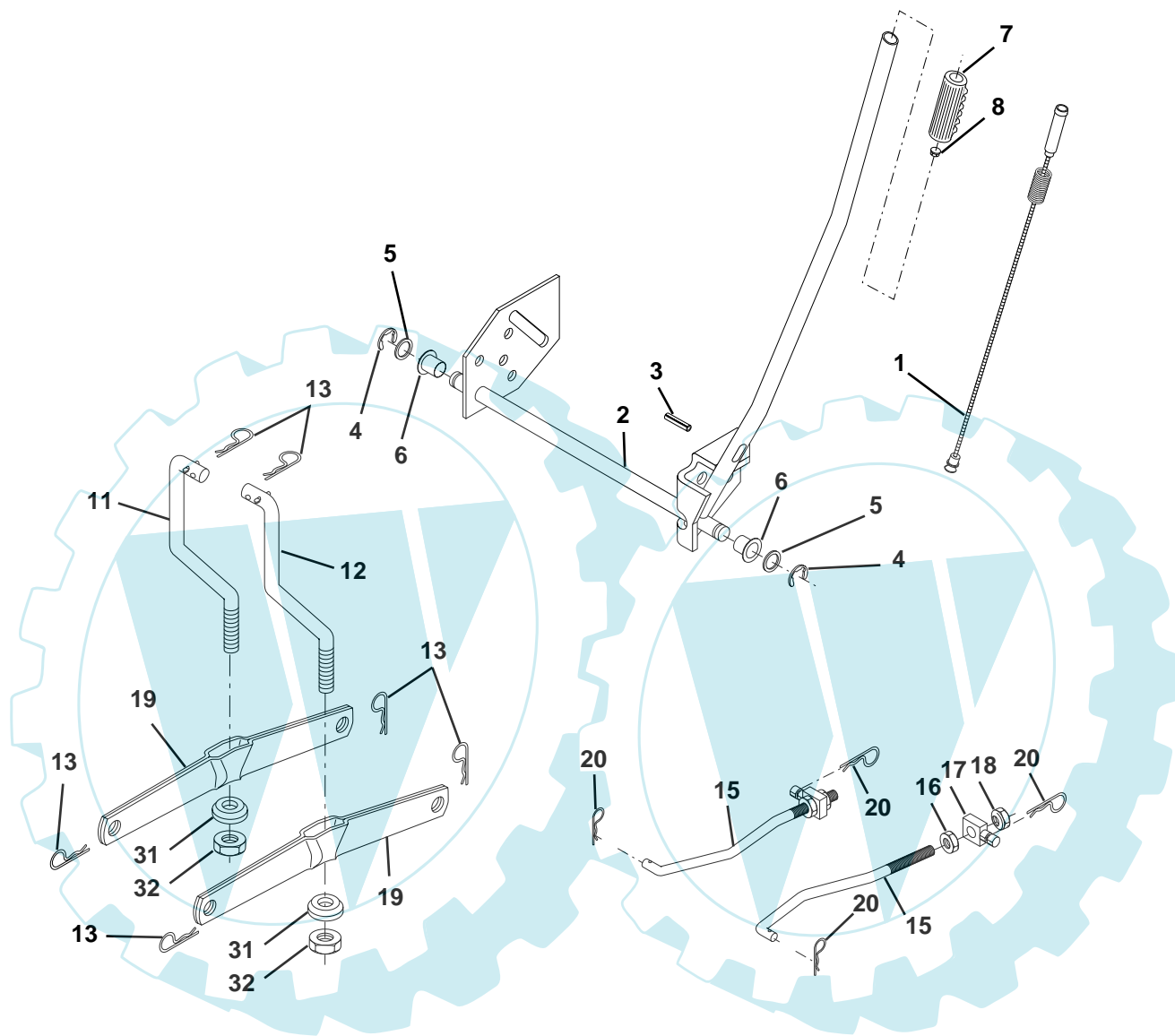
TRACTOR- -MODEL NO. CRD125-36 (YP12592RBA) PRODUCT NO. 964 79 33-00
ENIGNE

KEY NO.	PART NO.	DESCRIPTION
1	532 17 05-51	Control Throt /Ch
2	817 72 04-08	Screw Hex Thd Cut 1/4-20 x 5/8 T
3	-----	Engine Briggs & Stratton 21A807 Order Parts from Engine Manufacturer
4	532 17 97-58	Muffler Exhaust
13	532 16 52-91	Gasket 1 313 Id Tin Plated
14	532 14 84-56	Tube Drain Oil Easy
16	811 05 06-00	Washer Lock Ext Tooth 3/8
23	532 16 98-37	Shield Browning/Debris Guard
25	532 18 09-45	Control Choke
26	873 92 06-00	Nut Keps 3/8-24 Unf
29	532 13 71-80	Arrestor Spark
31	532 18 55-34	Tank Fuel 2.00 Fr
32	532 14 05-27	Cap Asm Fule Top Vent N/Lany
33	532 12 34-87	Clamp Hose Blk
37	532 13 70-40	Line Fuel 20"
38	532 18 16-54	Plug Drain Oil Easy
44	817 67 04-12	Screw Hexwsh Thdrol 1/4-20 x 3/4
45	817 00 06-12	Screw Hexwsh Thdr 3/8-16 x 3/4
46	819 09 14-16	Washer 9/32 x 7/8 x 16 Ga.
72	532 18 39-06	Screw Socket Head 5/16-18 x 1
78	817 06 06-20	Screw 3/8-16 x 1-1/4
81	873 51 04-00	Nut Keps 1/4-20 UNC

NOTE: All component dimensions given in U.S. inches
1 inch = 25.4 mm

REPAIR PARTS

TRACTOR- -MODEL NO. CRD125-36 (YP12592RBA) PRODUCT NO. 964 79 33-00
MOWER LIFT



REPAIR PARTS

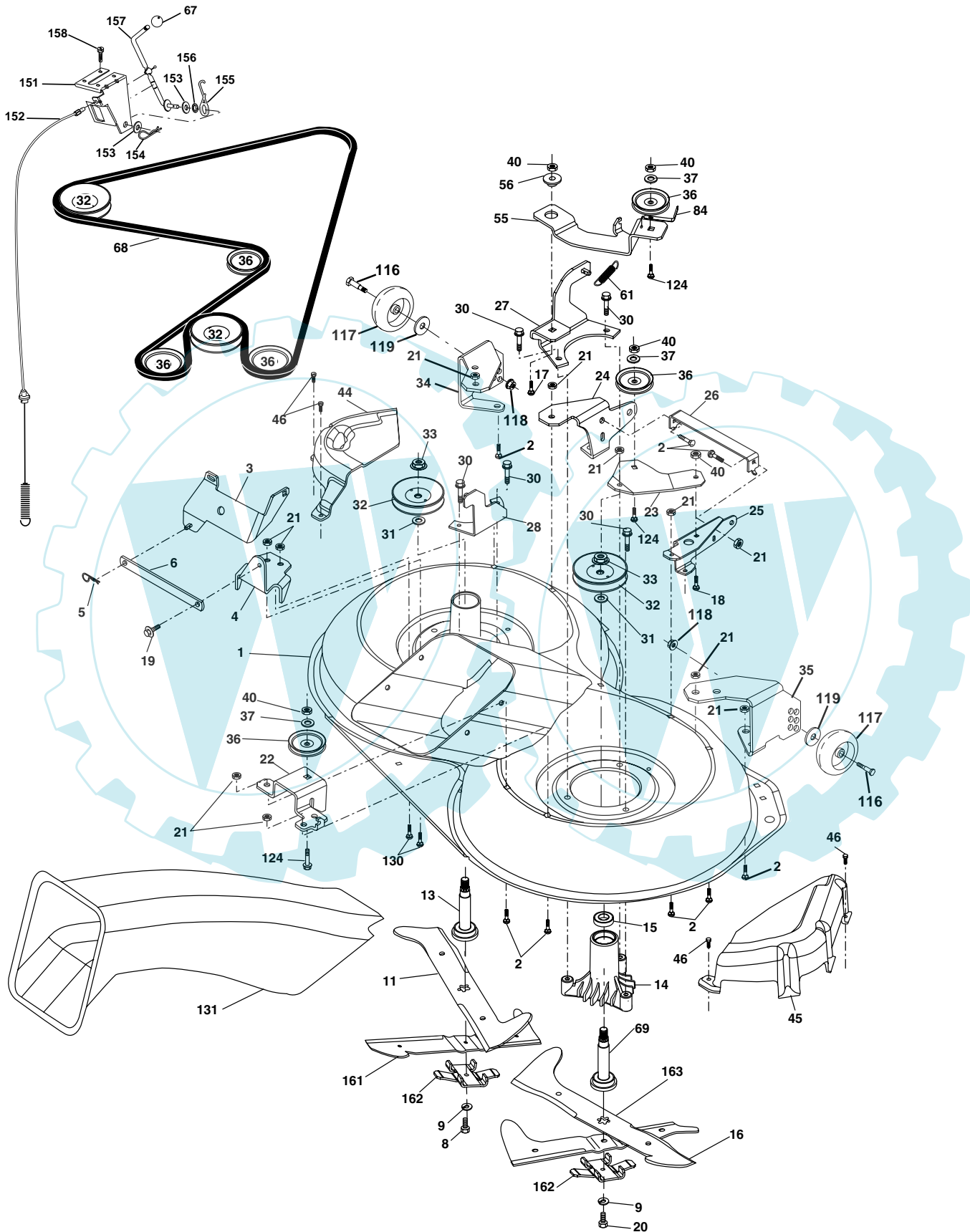
TRACTOR- -MODEL NO. CRD125-36 (YP12592RBA) PRODUCT NO. 964 79 33-00
MOWER LIFT

KEY NO.	PART NO.	DESCRIPTION
1	532 15 94-60	Washer Asm Inner Spring W/ Plunger
2	532 15 94-71	Shaft Asm. Lift
3	532 10 57-67	Pin Groove
4	812 00 00-02	E Ring #5133-62
5	819 21 16-21	Washer 21/32 x 1 x 21 Ga.
6	532 12 01-83	Bearing Nylon
7	532 10 94-13	Grip Handle
8	532 12 45-26	Button Plunger Black
11	532 16 58-29	Link Asm Lift L.H.
12	532 16 58-31	Link Asm Lift R.H.
13	532 12 46-70	Retainer Spring
15	532 17 32-88	Link Front
16	873 35 08-00	Nut Jam Hex 1/2-13 Unc
17	532 17 56-89	Trunnion Blk Zinc
18	873 80 08-00	Nut Lock w/Wsh 1/2-13 Unc
19	532 13 98-68	Arm Suspension Mower
20	532 16 35-52	Retainer Spring
31	532 16 98-65	Bearing, Pvt. Lift.
32	873 54 06-00	Nut Crownlock 3/8-24

NOTE: All component dimensions given in U.S. inches
1 inch = 25.4 mm

REPAIR PARTS

TRACTOR- -MODEL NO. CRD125-36 (YP12592RBA) PRODUCT NO. 964 79 33-00
MOWER



REPAIR PARTS

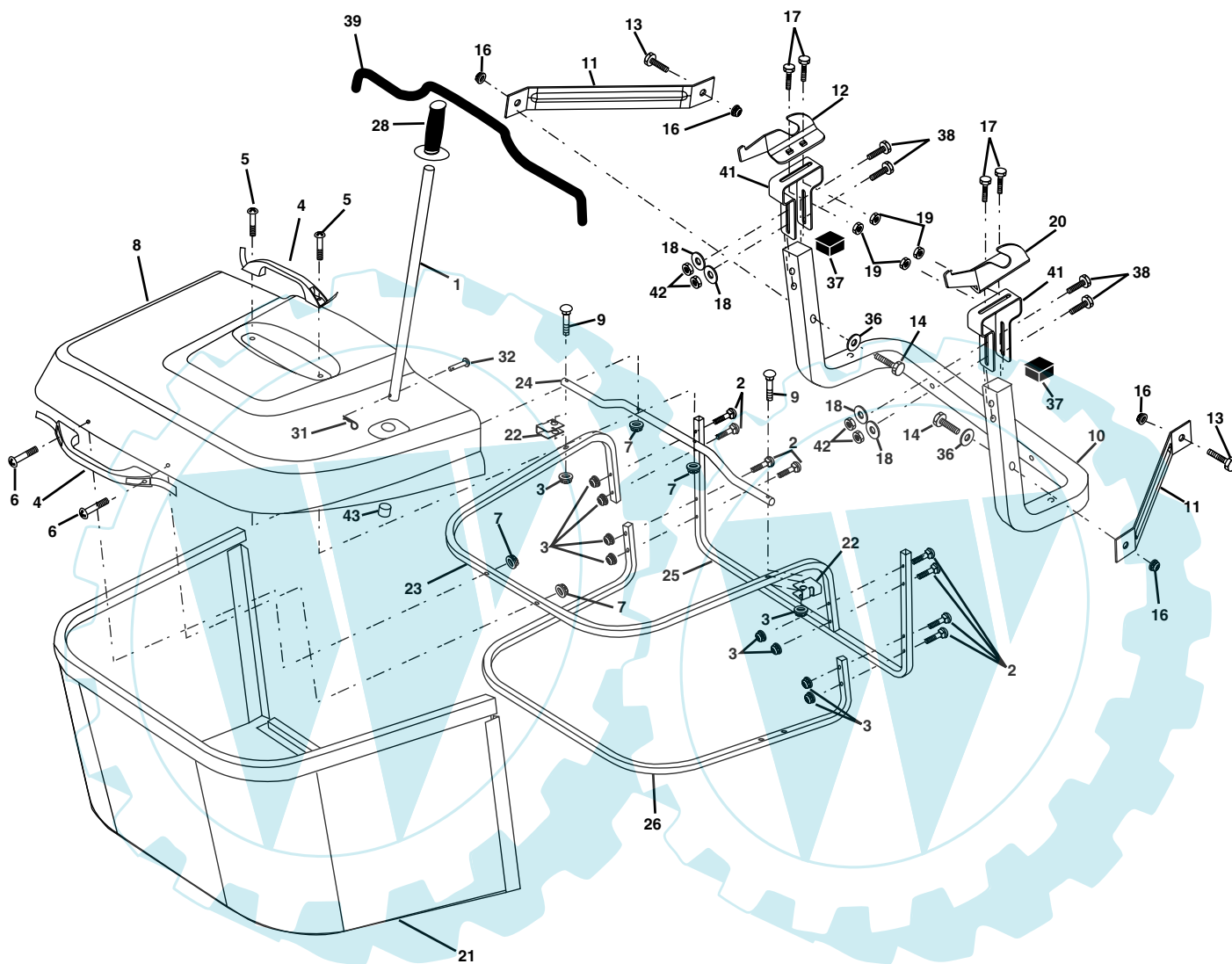
TRACTOR- -MODEL NO. CRD125-36 (YP12592RBA) PRODUCT NO. 964 79 33-00
MOWER

KEY NO.	PART NO.	DESCRIPTION	KEY NO.	PART NO.	DESCRIPTION
1	532 16 55-52	Housing Asm. Mower 92 CRD	40	873 68 06-00	Nut Crownlock 3/8-16 Unc
2	872 14 05-06	Bolt Rdhd Sqnk 5/16-18 Unc x 3/4	44	532 17 55-38	Cover Mandrel Lh 92 CRD
3	532 16 55-69	Bracket Asm. S-Bar Chass 92 CRD	45	532 17 55-39	Cover Mandrel Rh 92 CRD
4	532 16 55-58	Bracket Bar Sway Deck 92 CRD	46	532 13 77-29	Screw Thd Roll 1/4-20 x 5/8
5	532 12 46-70	Retainer Spring	55	532 16 54-45	Arm Idler 92 CRD
6	532 16 55-57	Bar Sway 92 CRD	56	532 16 57-23	Spacer Retainer Mower
8	532 18 17-12	Bolt 3/8-24 x 1.25 Gr8 Patched	61	532 16 59-45	Spring Tension Belt
9	810 03 06-00	Washer Lock Hvy 3/8 Unplated	67	532 10 69-32	Knob Rd 3/8-16 Plstc Thds Blk
11	532 17 00-37	Blade 3-1 Lh 92 CRD	68	532 18 02-17	Hex-Belt 92 Mower
13	532 13 76-45	Shaft Asm. W/Lower Bearing	69	532 16 54-82	Shaft Asm W/Lwr Brg Rh Thd CRD
14	532 12 87-74	Housing Mandrel Vented (Machd)	84	532 15 60-85	Keeper Belt Idler
15	532 11 04-85	Bearing Ball Mandrel	116	532 18 42-19	Bolt Shoulder
16	532 17 00-38	Blade 3-1 Rh 92 CRD	117	532 13 39-57	Wheel Gage Donut Wide
17	872 14 06-10	Bolt Carriage 3/8-16 x 1-1/4	118	873 93 06-00	Nut Centerlock 3/8-16 Unc
18	872 11 06-06	Bolt Rdhd Sqnk 3/8-16 x 3/4 Gr5	119	819 12 14-14	Washer 3/8 x 7/8 x 14 Ga.
19	532 13 28-27	Bolt Shoulder 5/16-18 Thd Form	124	872 11 06-12	Bolt Carr Sh 3/8-16 x 1-1/2 Gr5
20	532 18 17-13	Bolt 3/8-24 x 1.25 Gr8 Ptch Lhthd	130	872 11 05-06	Bolt Rdhdsqnk 5/16-18 Unc x 3/4
21	873 68 05-00	Nut Crown Lock 5/16-18	131	532 16 56-61	Chute Bagger CRD 92cm
22	532 16 52-43	Bracket Idler Sprt RR 92 CRD	151	532 16 96-70	Bracket Clutch Cable
23	532 16 54-46	Bracket Idler Sprt RF 92 CRD	152	532 17 60-74	Cable Clutch CRD Service
24	532 16 52-42	Bracket Suspension LF 92 CRD	153	532 16 96-74	Washer Flat 3/8" Type B
25	532 16 52-44	Bracket Suspension RF 92 CRD	154	532 16 96-75	Spring Retainer
26	532 16 52-37	Brace Support Susp Frt CRD	155	532 16 96-71	Spring Retainer Lvr Cltch Cab
27	532 16 55-68	Bracket Asm. Susp RR 92 CRD	156	532 16 96-72	Spacer Clutch Cable
28	532 16 55-67	Bracket Asm. Susp LR 92 CRD	157	532 16 96-69	Rod Clutch Cable 3/8"
30	532 17 39-84	Screw Thd Rolling Washer Head	158	817 72 04-08	Screw Hex Thdcut 1/4-20 x 5/8
31	532 12 99-63	Washer Spacer Mower Vented	161	532 18 04-18	Blade Cross Lh 92 CRD
32	532 15 35-31	Mandrel Pulleys 36 & 46	162	532 18 60-13	Adapter Blade Cross
33	532 17 83-42	Nut Flg Top Lock	163	532 18 04-19	Blade Cross Rh 92 CRD
34	532 16 52-39	Bracket Gauge Wheel Lf 92 CRD	--	532 18 18-57	Mandrel Asm Service
35	532 16 52-38	Bracket Gauge Wheel Rf 92 CRD	--	532 18 18-58	Mandrel Asm CRD Lh Threads SVC
36	532 14 67-63	Pulley Idler V-Groove Dim 4.25	--	532 18 17-65	Replacement Mower, Complete
37	819 13 13-16	Washer 11/32 x 13/16 x 16 Ga			

NOTE: All component dimensions given in U.S. inches
1 inch = 25.4 mm

REPAIR PARTS

TRACTOR- -MODEL NO. CRD125-36 (YP12592RBA) PRODUCT NO. 964 79 33-00
BAGGER



REPAIR PARTS

TRACTOR- -MODEL NO. CRD125-36 (YP12592RBA) PRODUCT NO. 964 79 33-00
BAGGER

KEY NO.	PART NO.	DESCRIPTION
1	532 16 52-49	Tube Handle Bagger CRD
2	872 14 04-16	Bolt Carriage 1/4-20 x 2.0 Gr.5
3	532 12 39-76	Nut Lock 1/4 Lge Flg Gr. 5 Zinc
4	532 16 99-16	Handle Bagger w/Lvrs Gr. 5 Zinc
5	874 98 10-24	Screw Pan Head #10-24 x 1.50 Blk
6	874 98 10-32	Screw Pan Hd
7	873 40 10-00	Nut Wiz Lock Hex Serr/Hd #10-24
8	532 18 10-95	Cover Bagger Plastic CRD MS421
9	872 14 04-18	Bolt Carriage 1/4-20 x 2.25d x Gr.5
10	532 18 12-82	Tube Support Bagger
11	532 16 57-19	Bracket Support Upper Bag CRD
12	532 16 96-85	Bracket Horiz. Adj Bagger
13	872 11 06-06	Bolt Rdhd Sht Sqnk 3/8-16 x 3/4
14	874 52 06-36	Bolt Fin Hex 3/8-16 x 2-1/4 Gr.5
16	873 90 06-00	Nut Lock Flg 3/8-16 Unc
17	872 14 05-06	Bolt Rdhd Sht Sqnk 5/16 -18 Unc x 3/4
18	819 11 12-16	Washer 11/32 x 3/4 x 16 Ga.
19	873 90 05-00	Nut Lock Hex Flange 5/16-18
20	532 16 96-84	Bracket Horiz Adj Bagger
21	532 18 08-80	Bag Asm CRD
22	532 16 57-81	Bracket Side Bagger CRD
23	532 16 57-82	Tube Upper Bagger CRD
24	532 16 57-83	Tube Pivot Bagger CRD
25	532 18 01-24	Tube Front Bagger CRD
26	532 16 57-85	Tube Lower Bagger CRD
28	532 16 57-87	Grip Handle Flange CRD Black
31	532 12 47-88	Retainer Spring 1" Zinc/Cad
32	532 12 68-75	Rivet Rd Hd Drilled 3/8 Dia
36	819 13 20-16	Washer 13/32 x 1-1/4 x 16 Ga.
37	532 17 54-01	Plug Support Bagger CRD
38	872 01 05-20	Bolt 5/16-18 x 2-1/2
39	532 18 09-85	Seal Trim 37"
41	532 16 96-83	Bracket Vert Adj Bagger CRD
42	873 80 05-00	Nut Lock Hx w/Ins 5/16-18 Unc
43	532 17 40-83	Plug Tubing End

NOTE: All component dimensions given in U.S. inches
1 inch = 25.4 mm